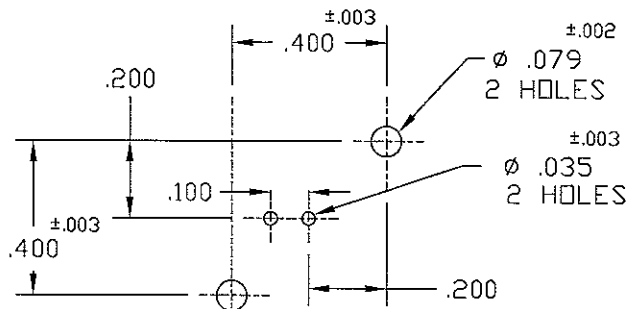
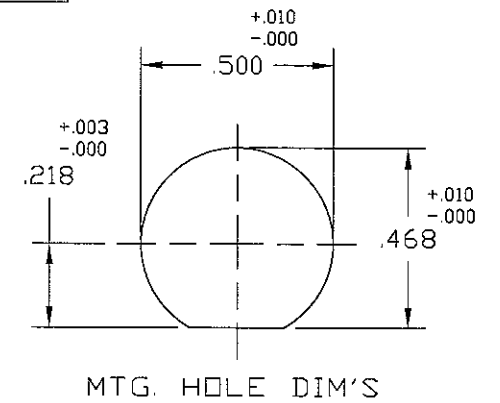
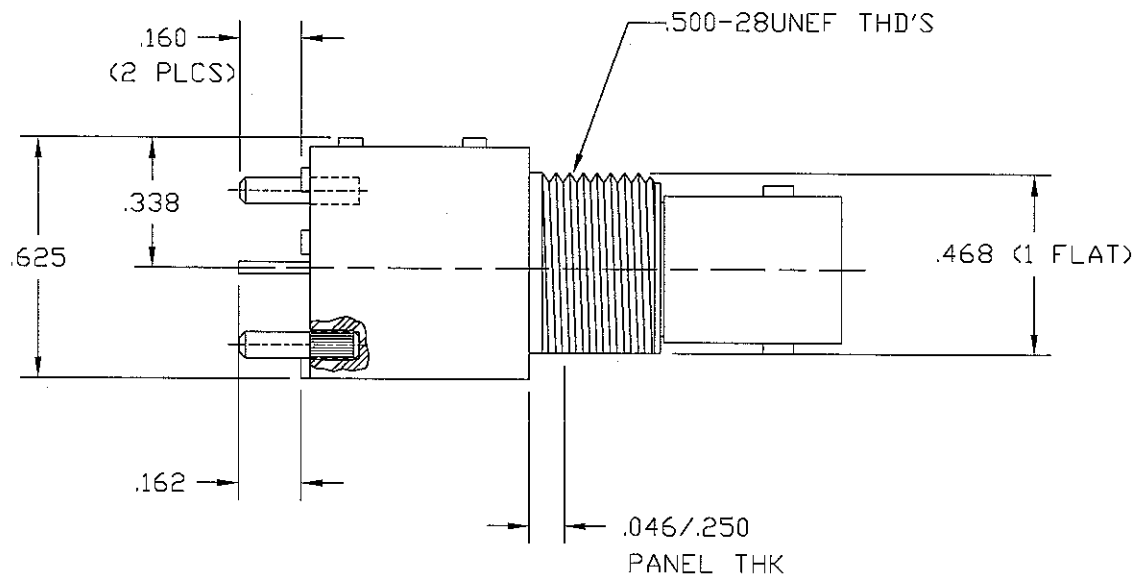
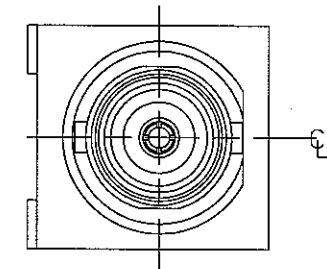
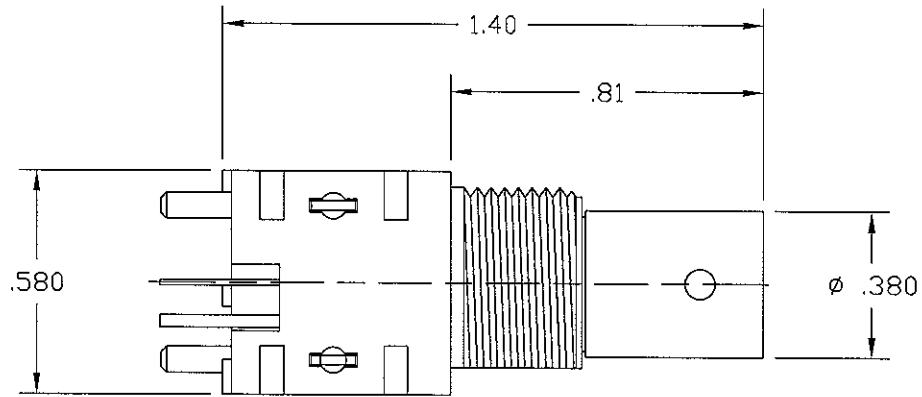
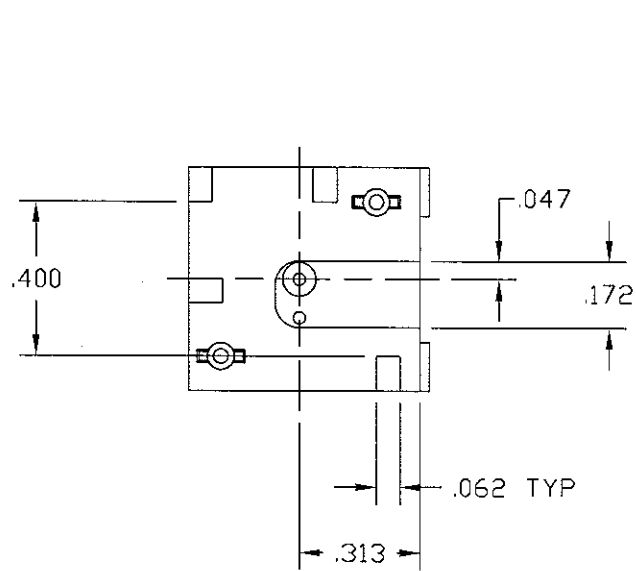


NOTES:

- MATERIAL: OUTER INSULATOR CASING - BLACK VALOX
INNER INSULATOR - WHITE NORYL
CENTER CONTACT - PHOSPHOR BRONZE, GOLD PLATED
BODY - NICKEL OVER ZINC CASTING
MOUNTING STUDS - TIN PLATING
TERMINALS- TIN PLATED COPPER WIRE
- SEPARATELY SUPPLIED HARDWARE MUST BE TIGHTENED TO 10 IN LBS MIN, 15 IN LBS MAX, WHEN ASSEMBLING TO PANEL.
- DO NOT SCALE THIS DRAWING.

31-5539		REVISIONS			
DRAWING NO.	REV	DESCRIPTION	DATE	ECO	APPR
THIRD ANGLE PROJ.	A	OFFICIAL ENG. RELEASE TO MFG.	3/15/90	37099	DR
	F	SEE SHEET 1 FOR REVISIONS	10/11/96	41545	CPM/
	G	SEE SHEET 1 FOR REVISIONS	2/3/05	45257	CPM/



PC HOLE MTG

UNLESS OTHERWISE SPECIFIED, DIMENSIONS ARE IN INCHES AND TOLERANCES ARE:
2 PLACE DECIMAL ±.015 (0,381 mm)
3 PLACE DECIMAL ±.005 (0,127 mm)
ANGLES ± 1'

NOTICE - These drawings, specifications, or other data (1) are, and remain the property of Amphenol Corp. (2) must be returned upon request; and (3) are confidential and not to be disclosed to any person other than those to whom they are given by Amphenol Corp. The furnishing of these drawings, specifications, or other data by Amphenol Corp., or to any other person to anyone for any purpose is not to be regarded by implication or otherwise in any manner licensing, granting rights or permitting such holder or any other person to manufacture, use or sell any product, process or design, patented or otherwise, that may in any way be related to or disclosed by said drawings, specifications, or other data.

MATERIAL

REFERENCE
EAR 962193-0

DRAWN
T. ALBERA

ENGINEER
D. ROYCE

APPROVED
D. ROYCE

CAD FILE
H:\DEPT611\BNC\031\ASSY\5539

DATE
2/20/90

DATE
11/30/90

DATE
11/30/90

TITLE
BNC JACK
STRAIGHT MOUNT
PCB RECEPTACLE
(BLACK HOUSING)

Amphenol
Amphenol Corporation
RF/Microwave Operations
Danbury, Conn. U.S.A. 06810

SCALE: 2:1 SHEET 2 OF 2

CODE ID 74868 DWG SIZE B DRAWING NO. 31-5539

REV G